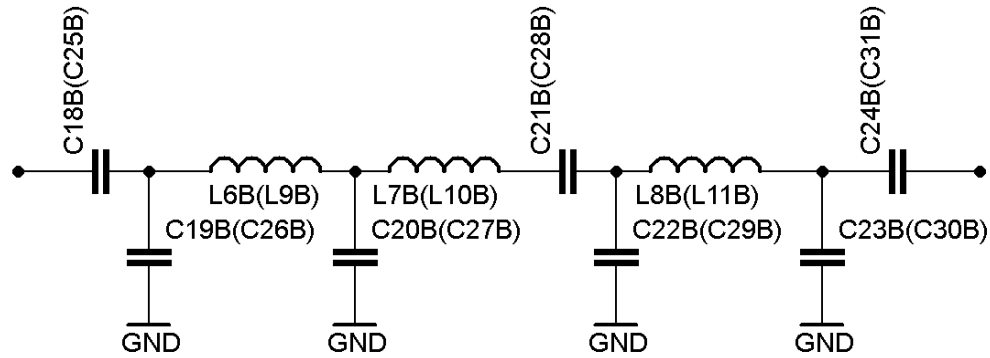


G11 Band Pass filters [BP]



- * 270pF supplied as 220pF+47pF install in parallel
- * 27pF supplied as 22pF + 4.7pF install in parallel

BP Fiter Number	BAND MHz	L6B (L9B) uH	L7B (L10B) uH	L8B (L11B) uH	Toroid Colour Diameter: 9.5mm	Number of turns 0.5mm wire	C18B (C25B) pF	C19B (C26B) pF	C20B (C27B) pF	C21B (C28B) pF	C22B (C29B) pF	C23B (C30B) pF	C24B (C31B) pf
1	1.8	8.2	8.2	8.2			1000	150	2700	2200	2700	150	1000
2	3.5	3.9	3.9	3.9			470	150	1800	820	1800	120	470
3	5-7	2.2	2.2	2.2			390	56	820	820	820	82	390
4	5	3.3	3.3	3.3			330	47	1000	560	1000	47	330
5	7	1.8	1.8	1.8	Red	21	270	82	1000	470	1000	82	270
6	7-10	1.2	1.2	1.2	Red	17	330	150	820	820	820	150	330
7	10	1.2	1.2	1.2	Yellow	19	220	56	680	430	680	56	220
8	10-14	1.2	1.2	1.2	Yellow	19	220	4.7	330	680	330	4.7	220
9	14	1	1	1	Yellow	18	120	47	560	220	560	47	120
10	14-18	1	1	1	Yellow	18	120	22	330	220	330	22	120
11	14-18-21	0.68	0.68	0.68	Yellow	14	150	33	270*	390	270*	33	150
12	18-21	1	1	1	Yellow	18	82	4.7	220	150	220	4.7	82
13	24-28	0.68	0.68	0.68	Yellow	14	68		150	150	150		68
14	28	0.68	0.68	0.68	Yellow	14	39	15	240	68	240	15	39
15	21-24-28	0.47	0.47	0.47	Yellow	12	100	27*	220	220	220	27*	100
16**	50	0.33	0.33	0.33			33	4.7	100	47	100	4.7	33
17	137	100	100	100			22000	4700	47000	47000	47000	4700	22000
18	500	47	47	47			2700	560	10000	4700	10000	560	2700
19	LF RX 2MHz	3.9	8.2	3.9			short	-	2700	short	2700	-	100000