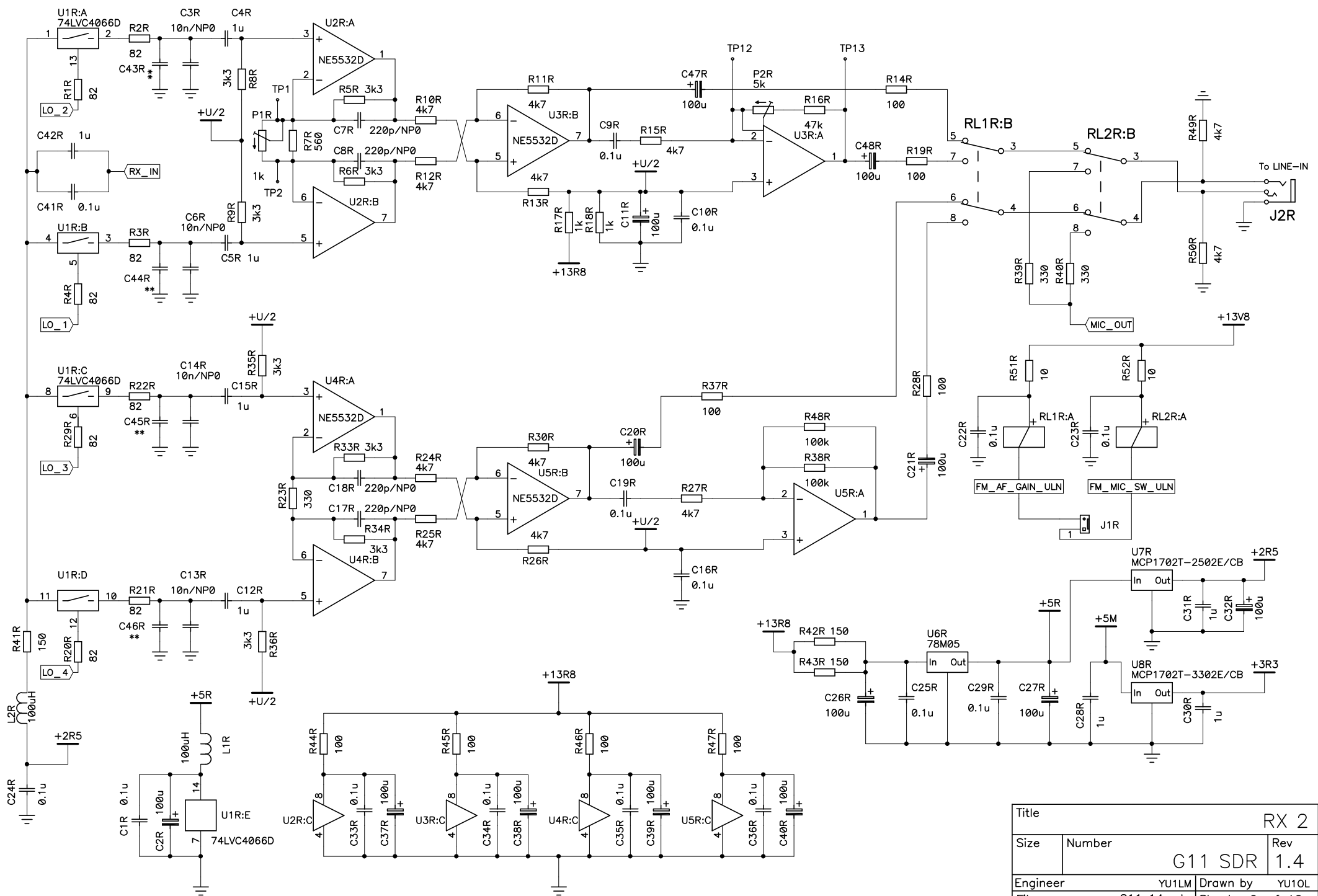
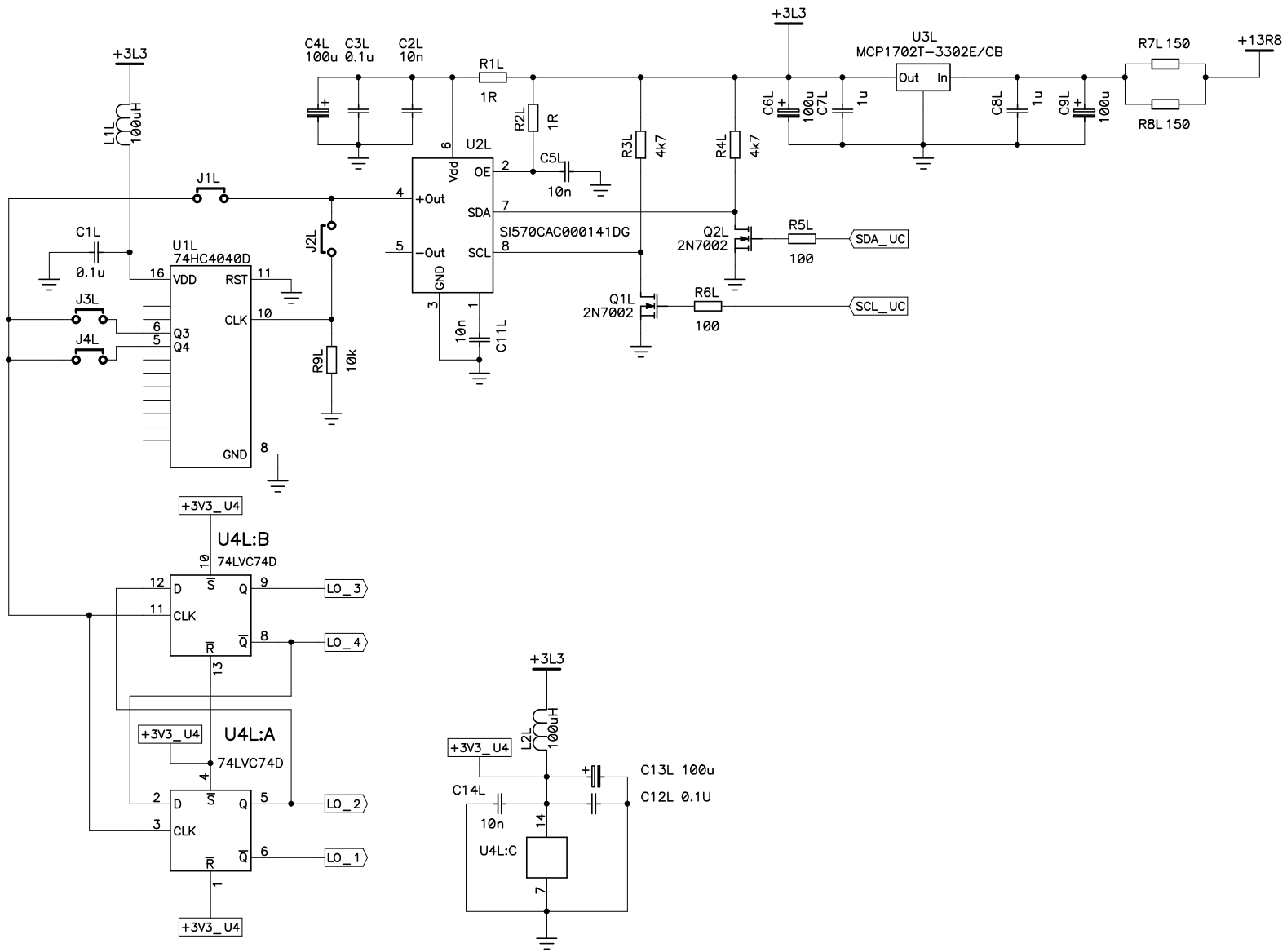


Title		RX 1	
Size	Number	G11 SDR	Rev 1.4
Engineer	YU1LM	Drawn by	YU1OL
Filename	G11v14.sch	Sheet	1 of 12

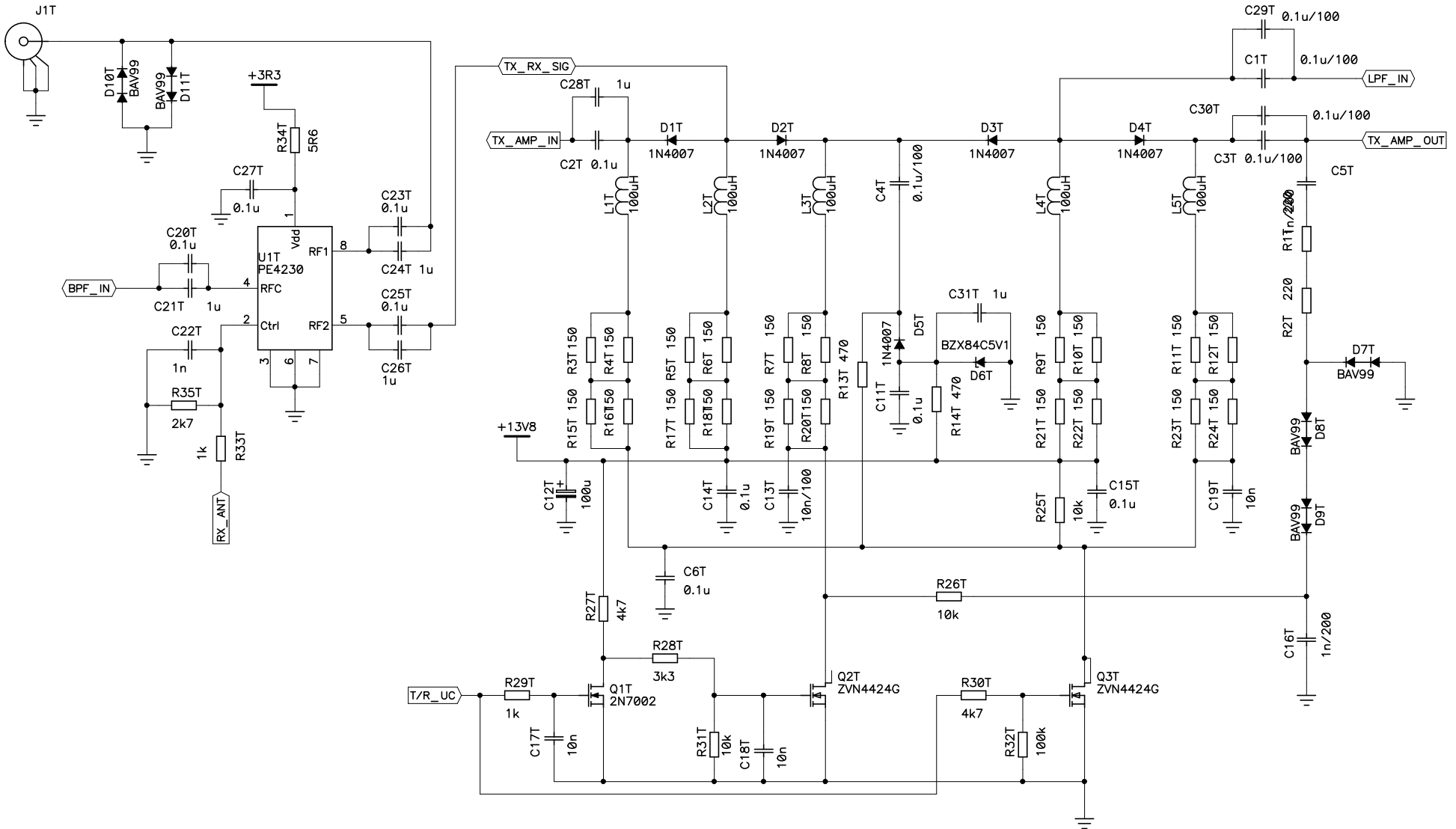


Title		RX 2	
Size	Number	G11 SDR	Rev 1.4
Engineer	YU1LM	Drawn by	YU1OL
Filename	G11v14.sch	Sheet	2 of 12

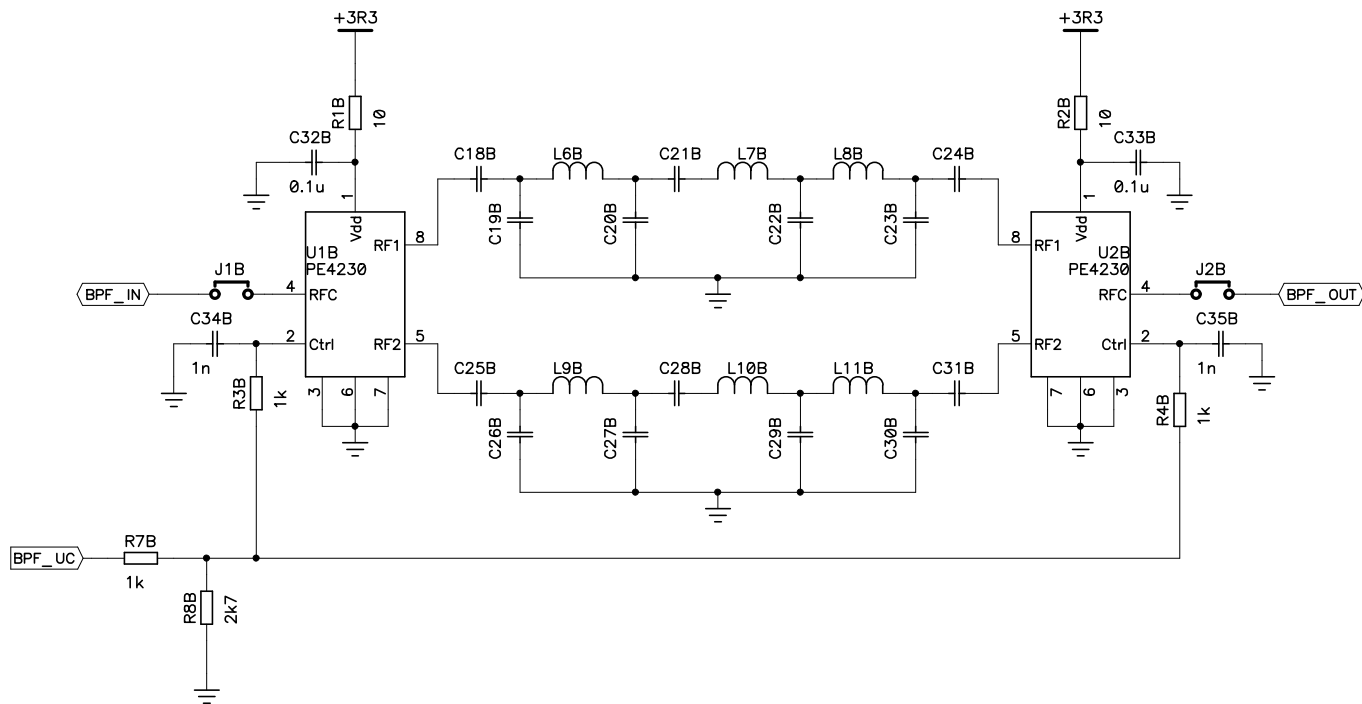
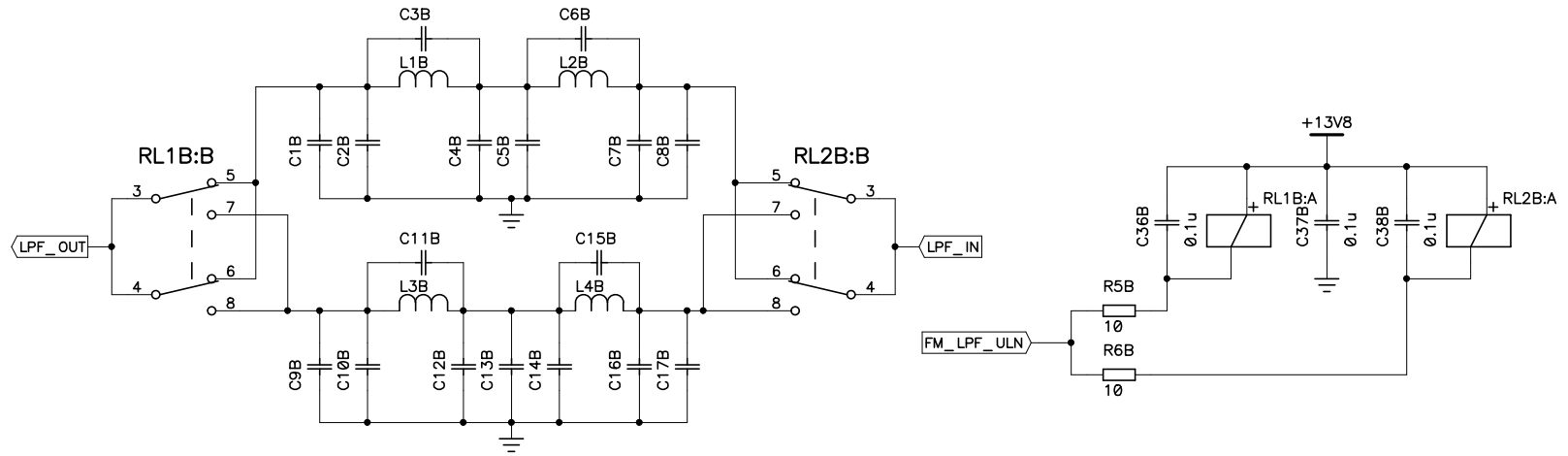


Title		Local oscillator	
Size	Number	G11 SDR	Rev 1.4
Engineer	YU1LM	Drawn by	YU1OL
Filename	G11v14.sch	Sheet	3 of 12

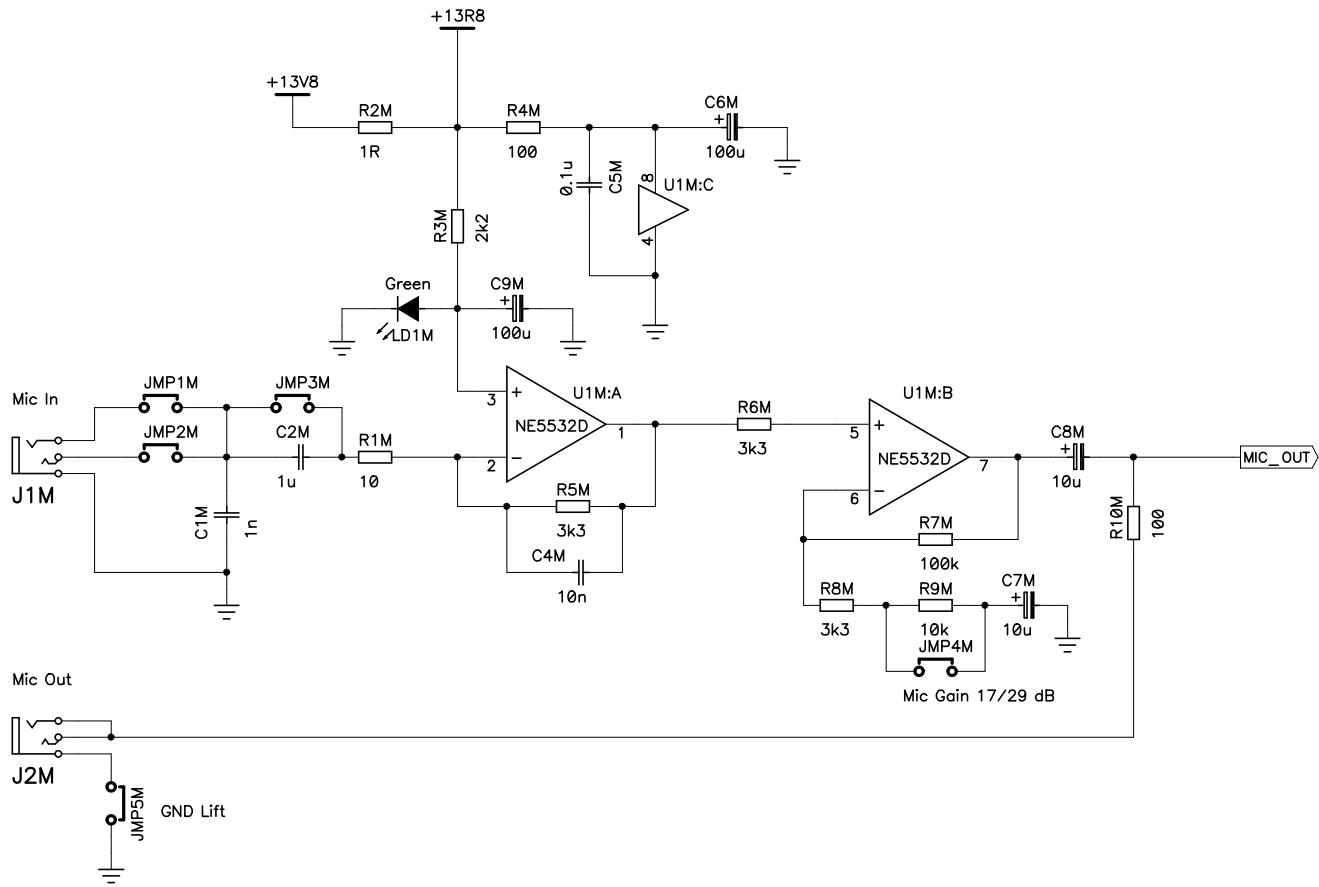
RX Antenna / Transv



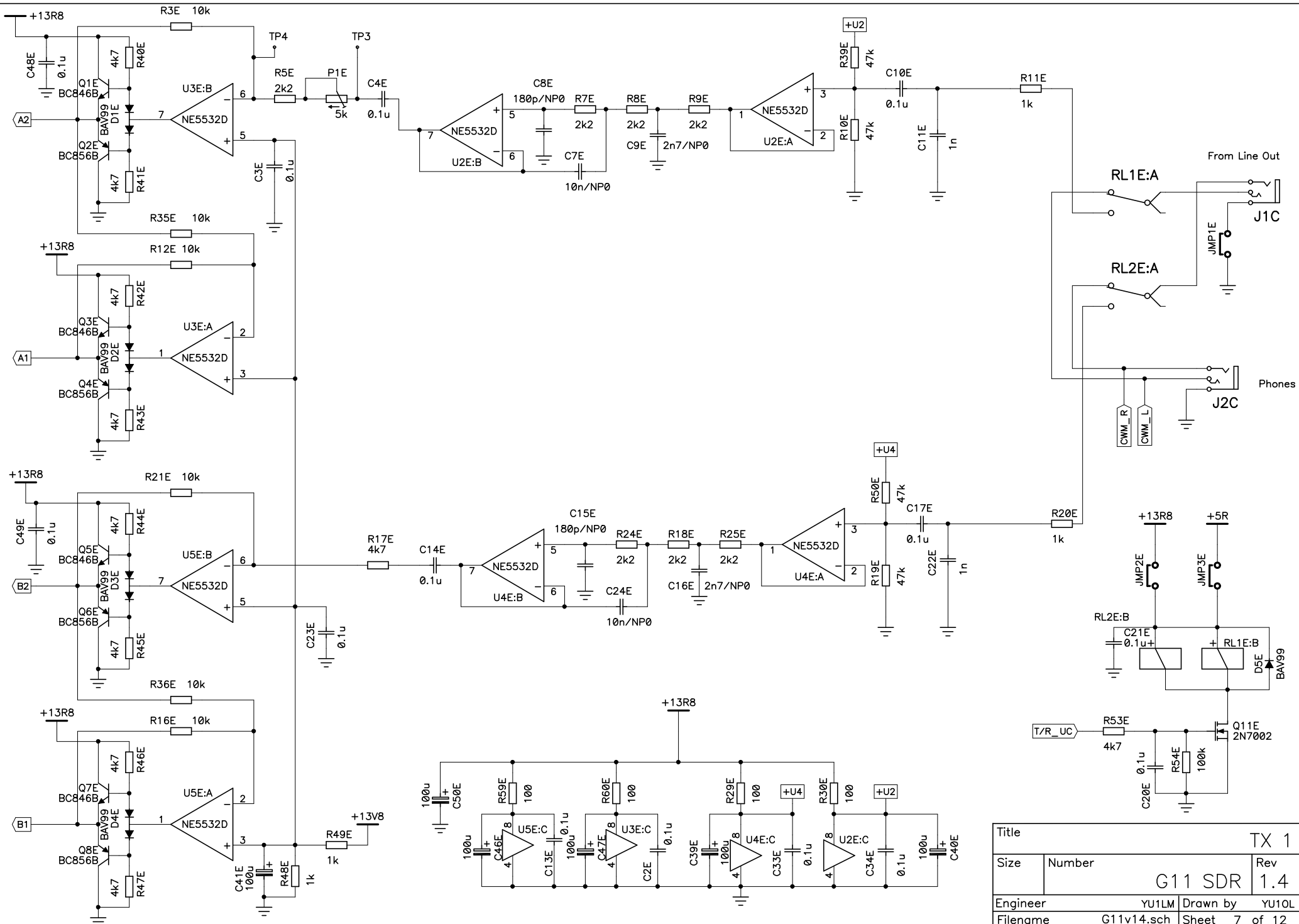
Title		T/R Switch	
Size	Number	G11 SDR	Rev 1.4
Engineer	YU1LM	Drawn by	YU1OL
Filename	G11v14.sch	Sheet	4 of 12



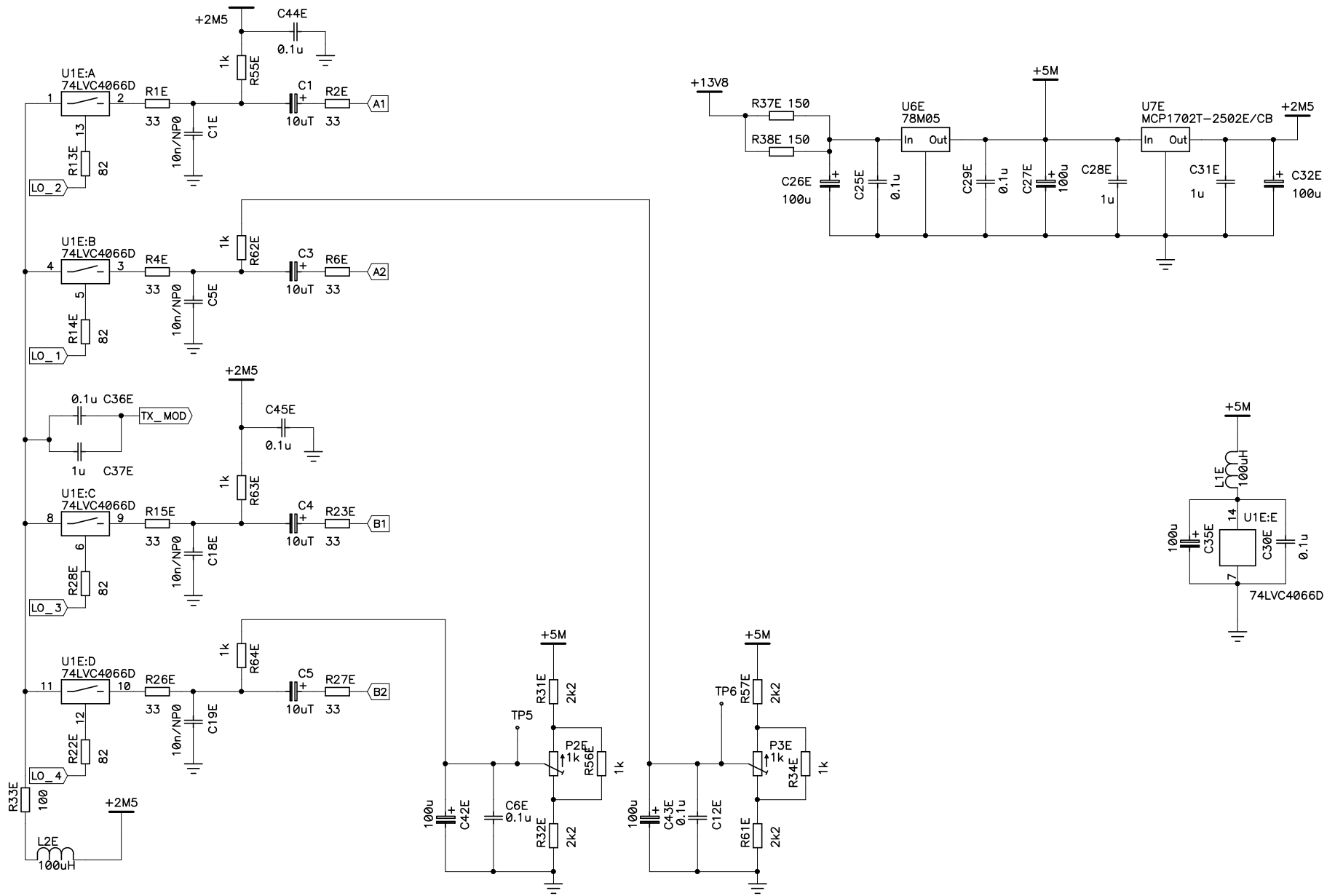
Title			Low & Band pass filters		
Size	Number	G11 SDR		Rev	1.4
Engineer	YU1LM	Drawn by	YU1OL		
Filename	G11v14.sch	Sheet	5 of 12		



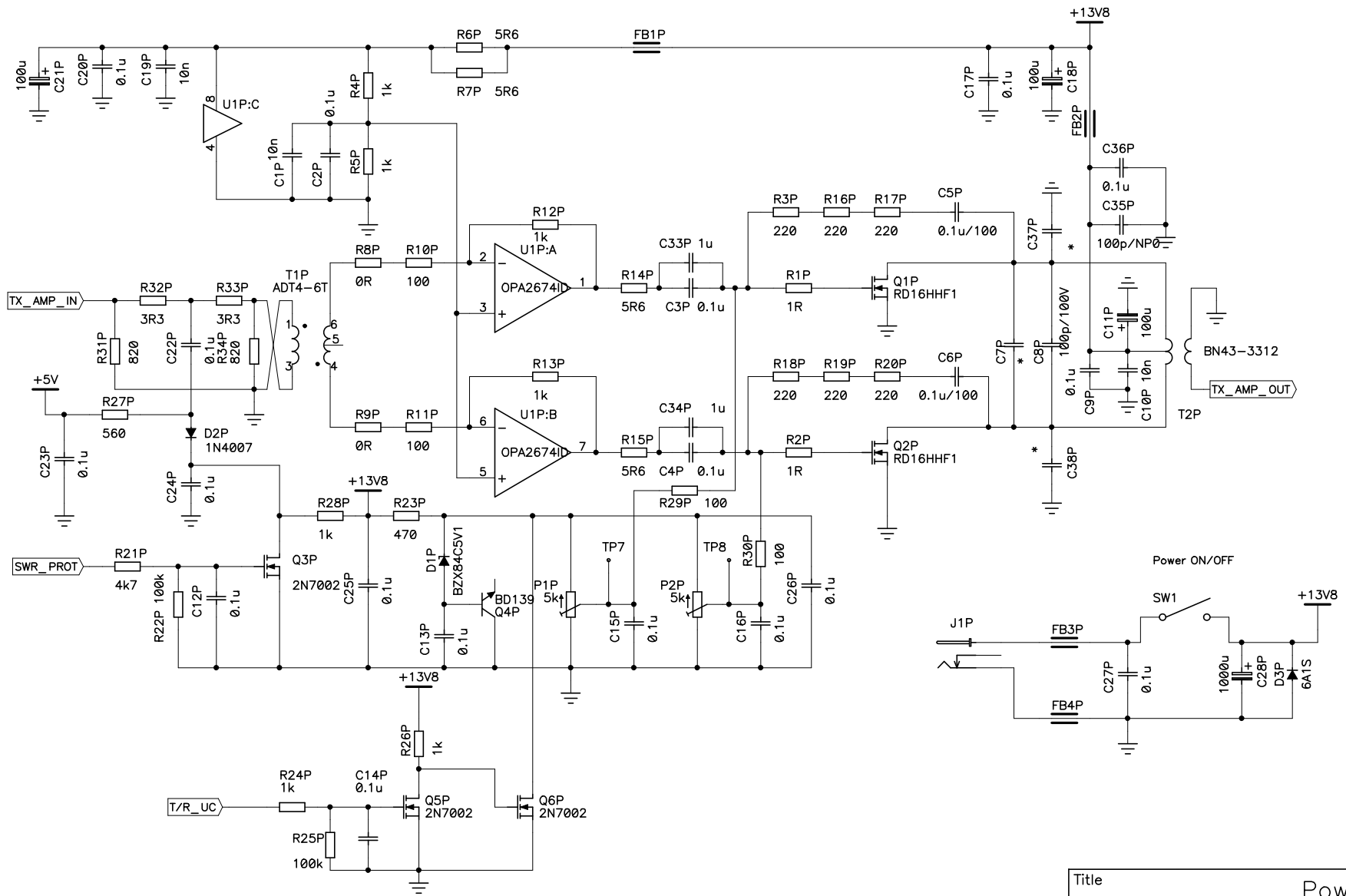
Title			Mic Amp		
Size	Number		Rev		
	G11 SDR		1.4		
Engineer	YU10L	Drawn by	YU1LM		
Filename	G11v14.sch	Sheet	6 of 12		



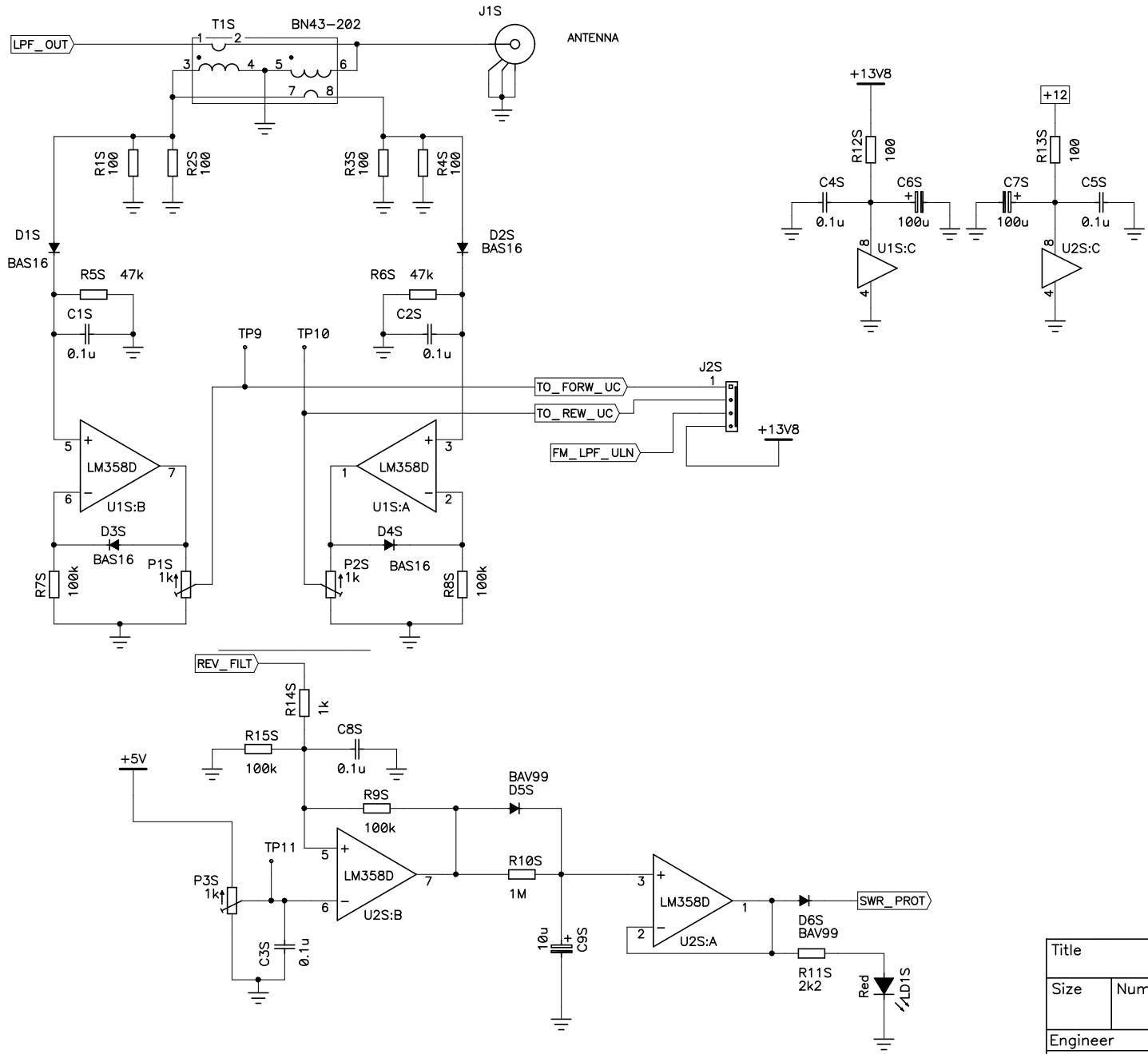
Title		TX 1	
Size	Number	G11 SDR	Rev 1.4
Engineer	YU1LM	Drawn by	YU1OL
Filename	G11v14.sch	Sheet	7 of 12



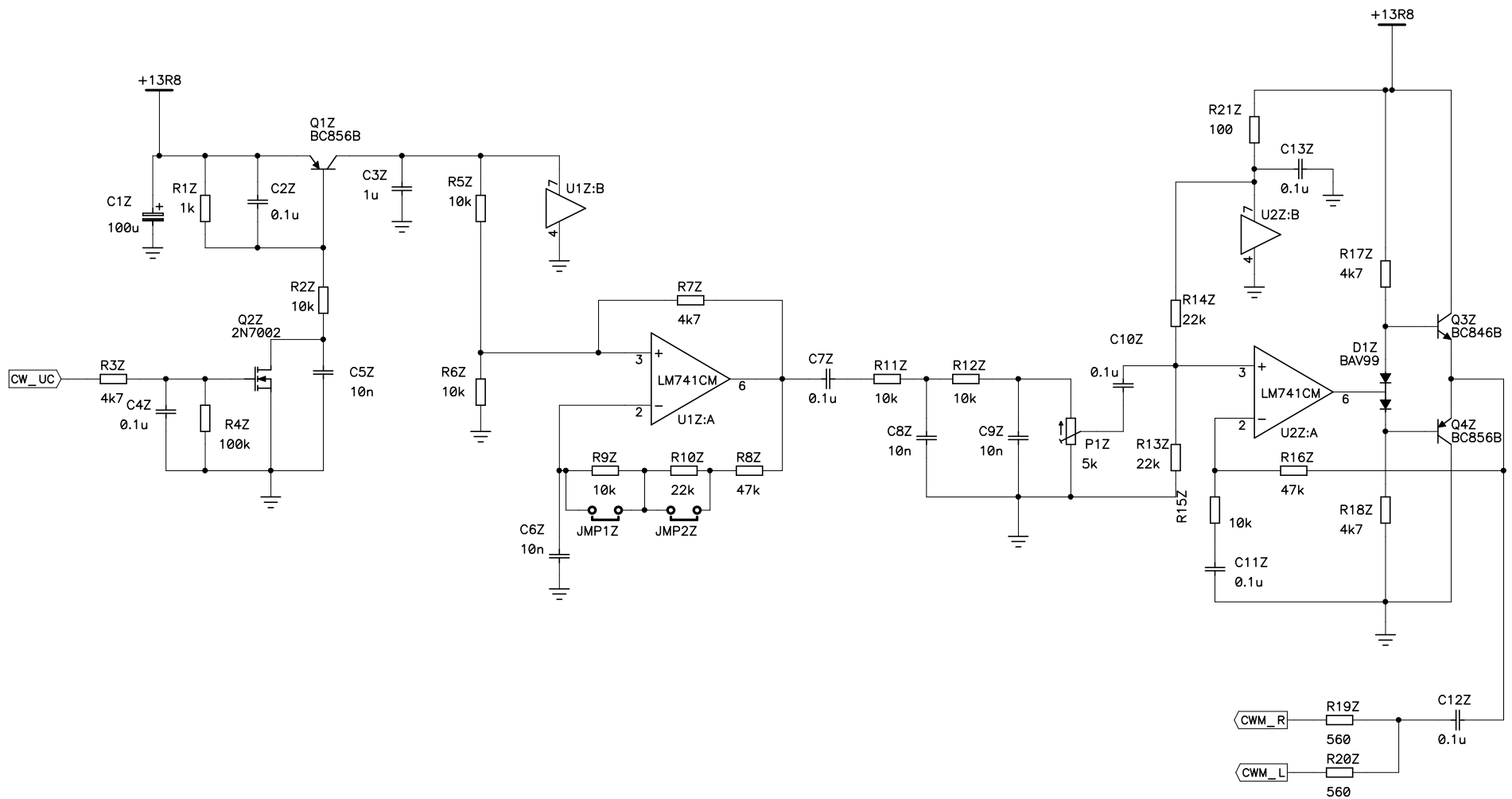
Title		TX 2	
Size	Number	G11 SDR	Rev 1.4
Engineer	YU1LM	Drawn by	YU1OL
Filename	G11v14.sch	Sheet	8 of 12



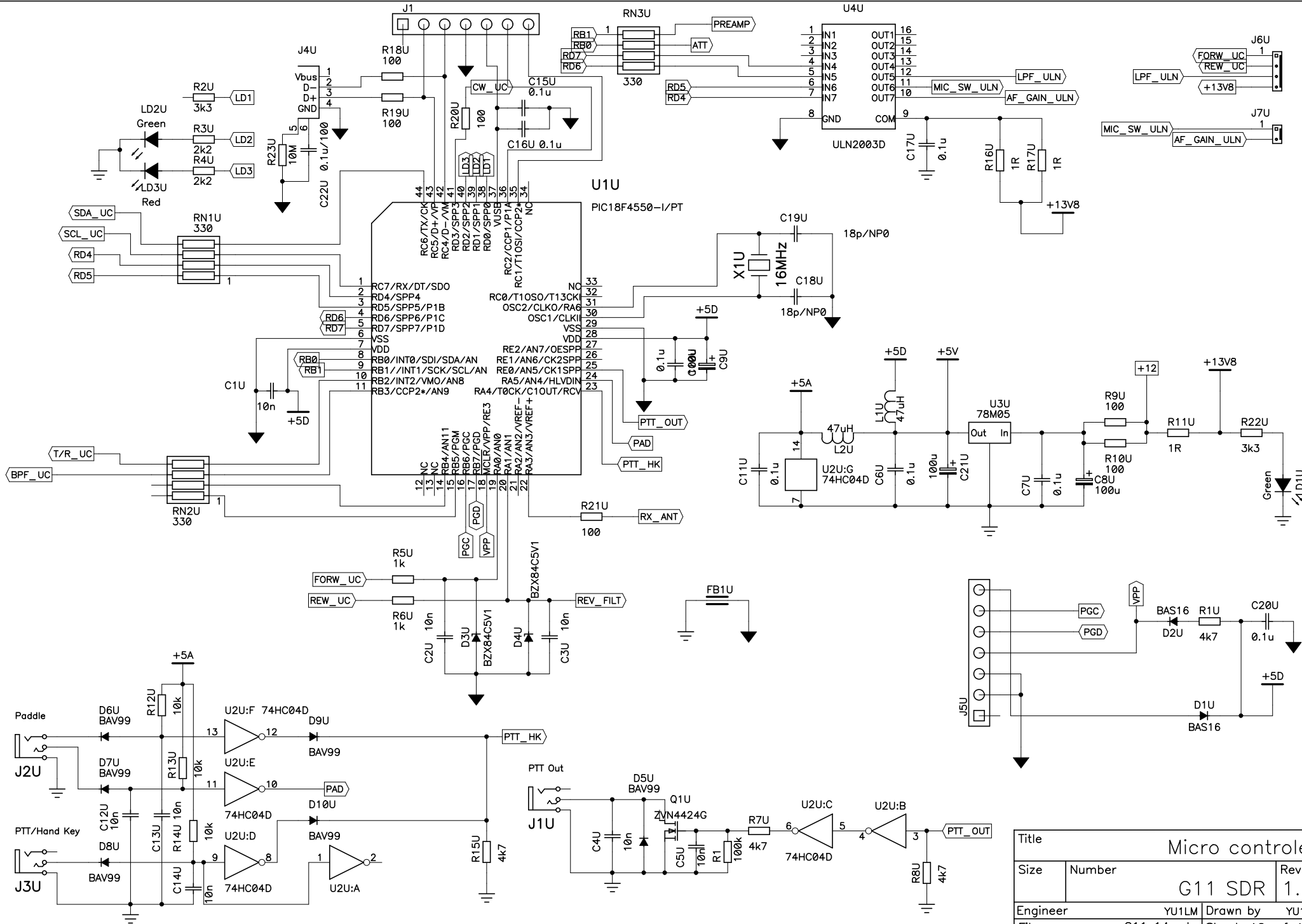
Title		Power Amp	
Size	Number	G11 SDR	Rev 1.4
Engineer	YU1LM	Drawn by	YU1OL
Filename	G11v14.sch	Sheet	9 of 12



Title		SWR met/protect	
Size	Number	G11 SDR	Rev 1.4
Engineer	YU1LM	Drawn by	YU1OL
Filename	G11v14.sch	Sheet	10 of 12



Title		CW monitor	
Size	Number	G11 SDR	Rev 1.4
Engineer	YU1LM	Drawn by	YU1OL
Filename	G11v14.sch	Sheet	11 of 12



Title		Micro controller	
Size	Number	G11 SDR	Rev 1.4
Engineer	YU1LM	Drawn by	YU1OL
Filename	G11v14.sch	Sheet	12 of 12