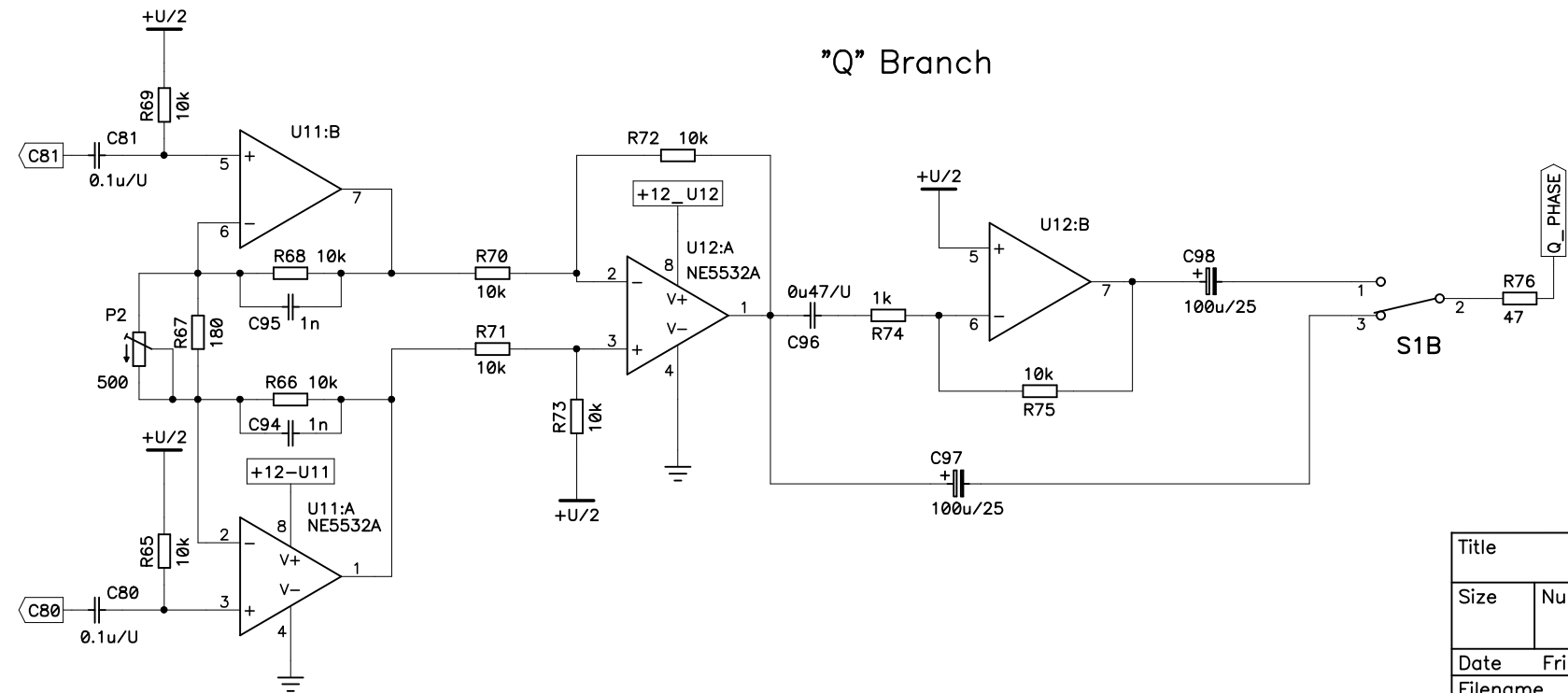
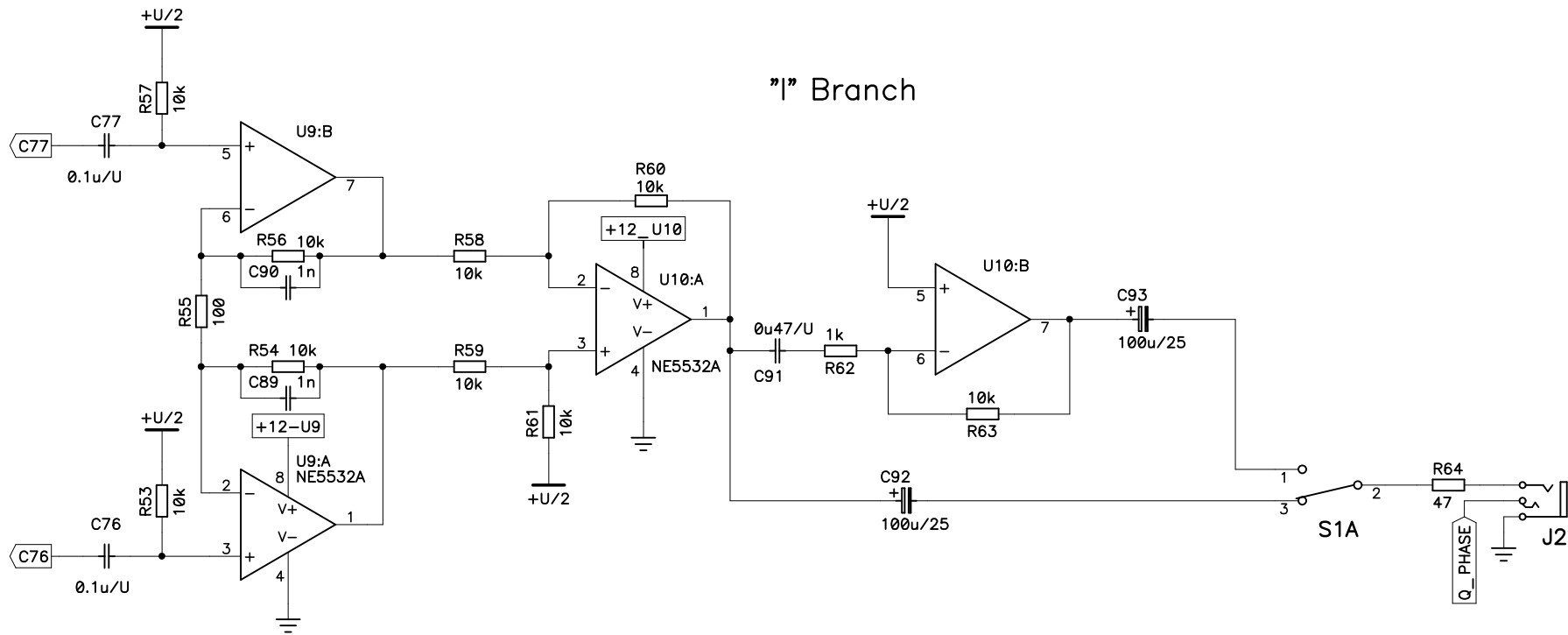
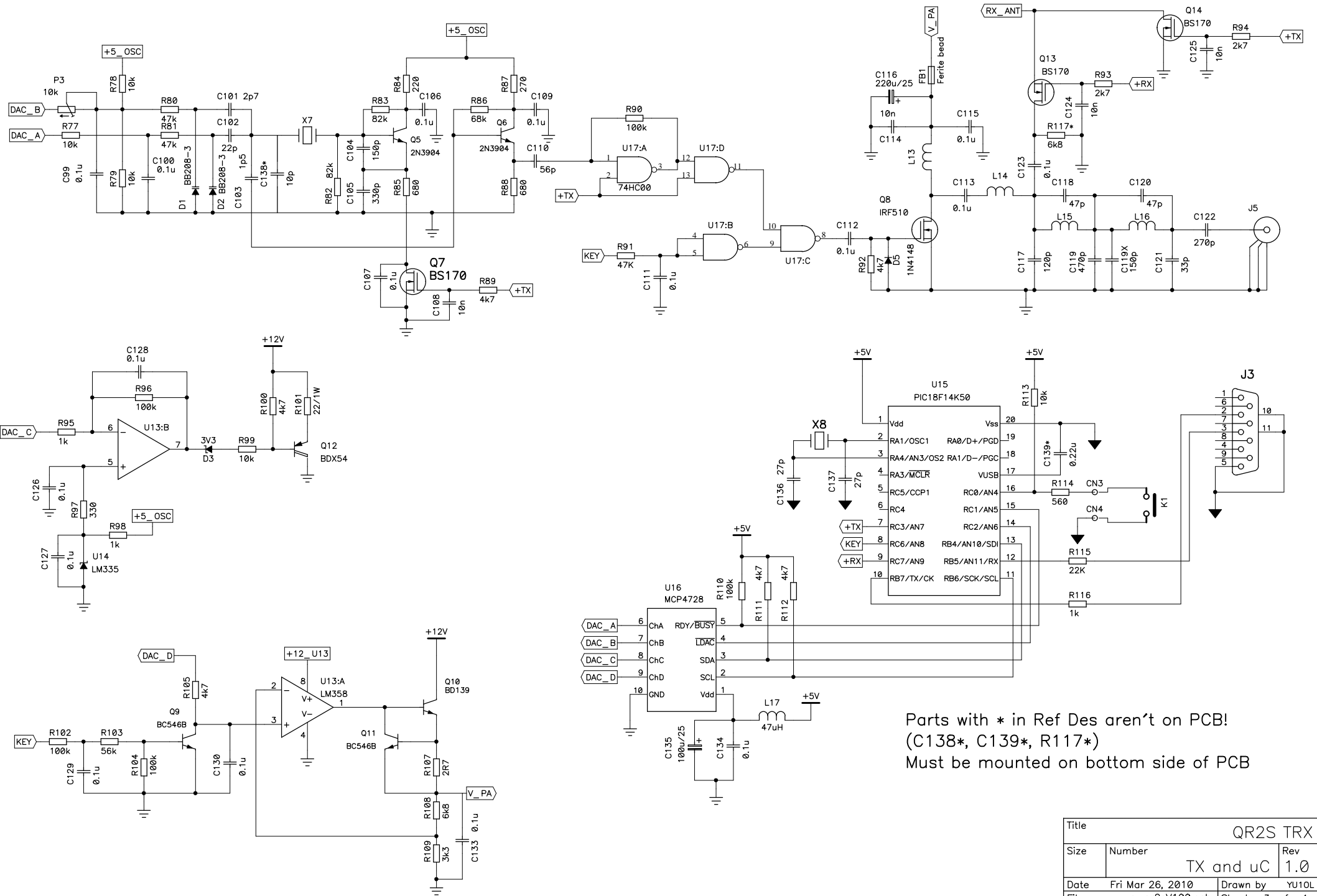


Title		QR2S TRX
Size	Number	Rev
		RF and IF 1.0
Date	Fri Mar 26, 2010	Drawn by/Drawn By:
Filename	g-qr2sv100.sch	Sheet 1 of 4

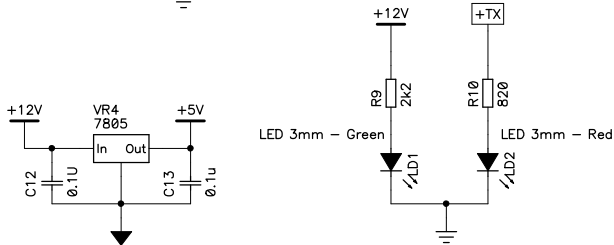
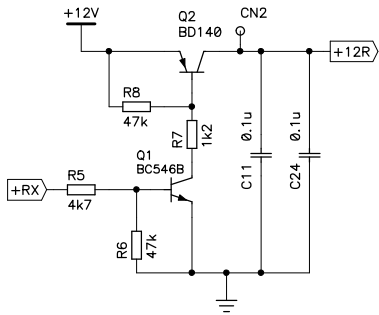
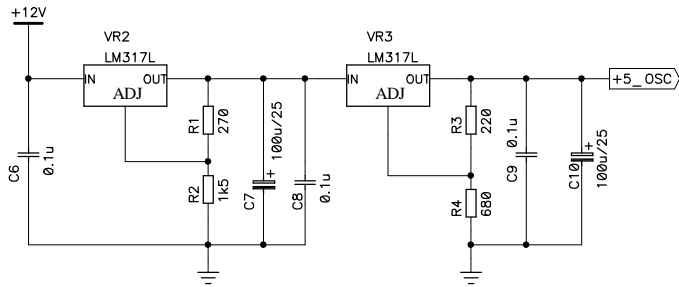
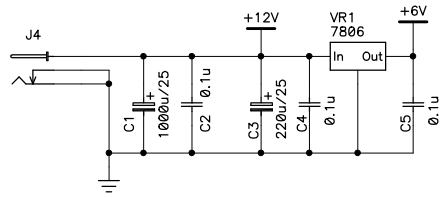


Title		QR2S TRX	
Size	Number	Rev	
		AF Amps	1.0
Date	Fri Mar 26, 2010	Drawn by	YU10L
Filename	g-qr2sV100.sch	Sheet	2 of 4

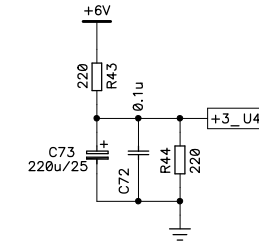
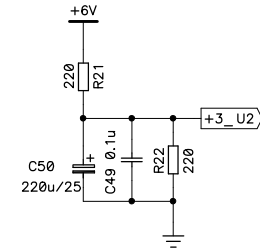
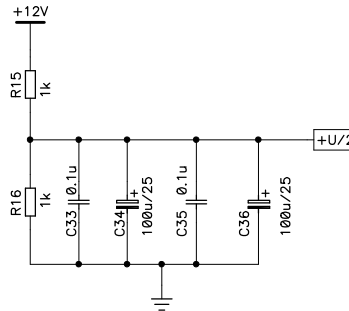
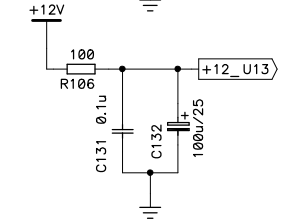
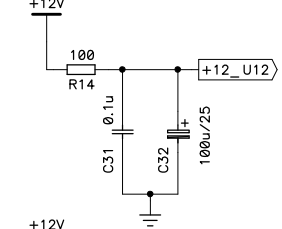
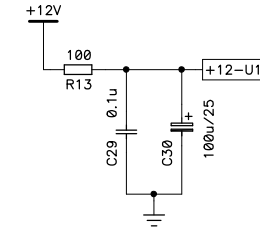
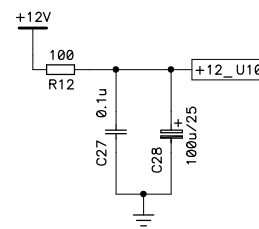
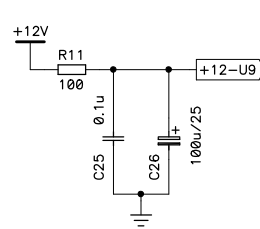
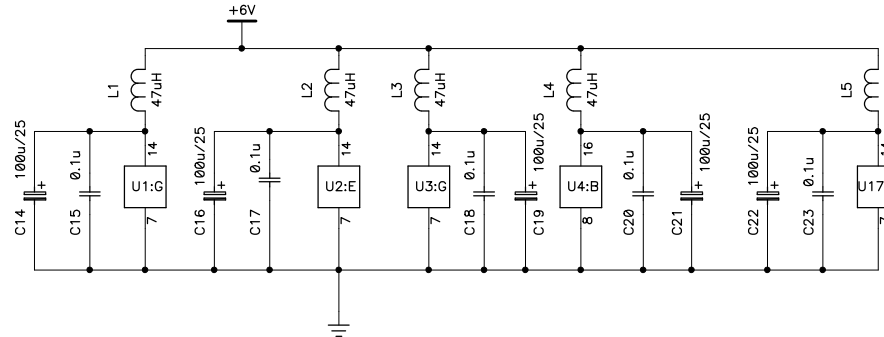
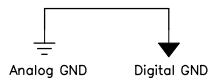


Parts with * in Ref Des aren't on PCB!
 (C138*, C139*, R117*)
 Must be mounted on bottom side of PCB

Title		QR2S TRX	
Size	Number	Rev	
		TX and uC 1.0	
Date	Fri Mar 26, 2010	Drawn by	YU10L
Filename	g-qr2sV100.sch	Sheet	3 of 4



Note these symbols:



Title		QR2S TRX
Size	Number	Rev
	Power Supply	1.0
Date	Fri Mar 26, 2010	Drawn by YU10L
Filename	g-qr2sV100.sch	Sheet 4 of 4