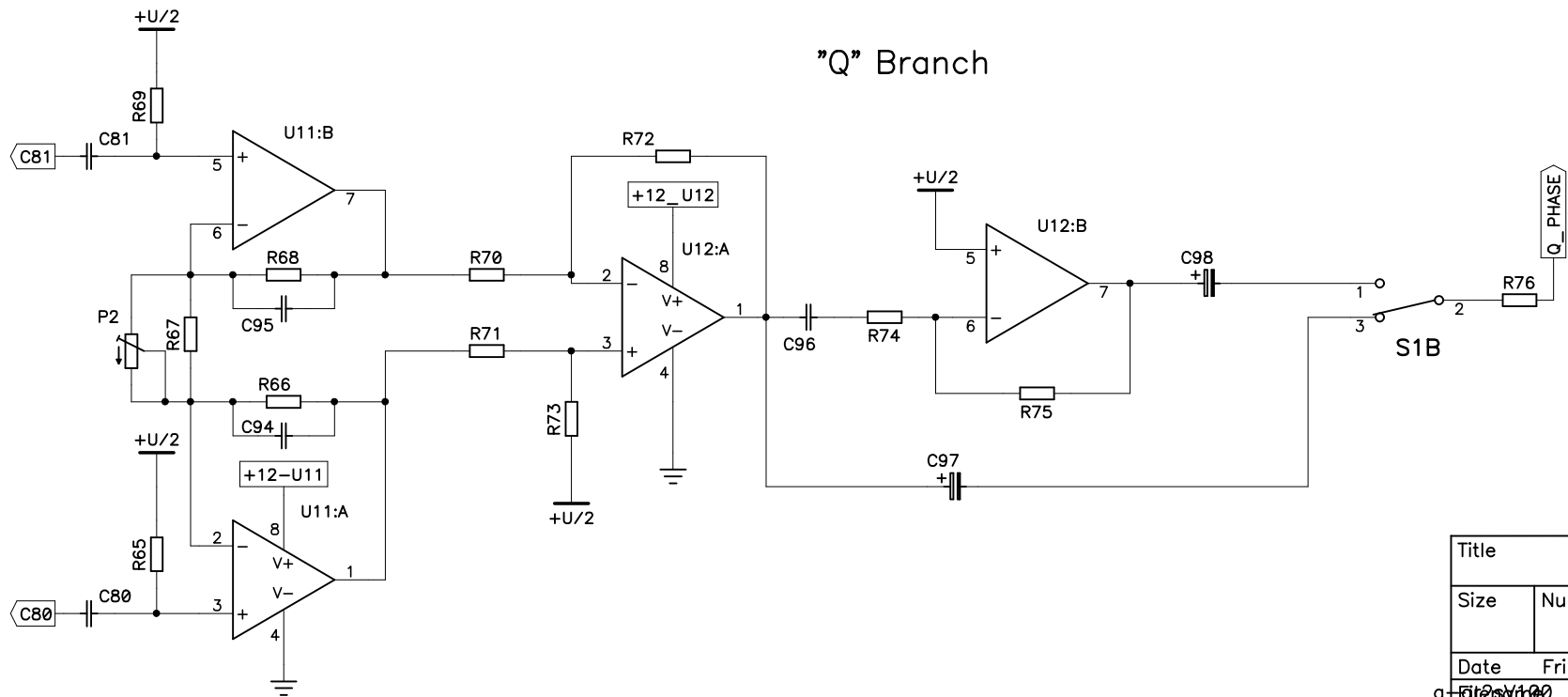
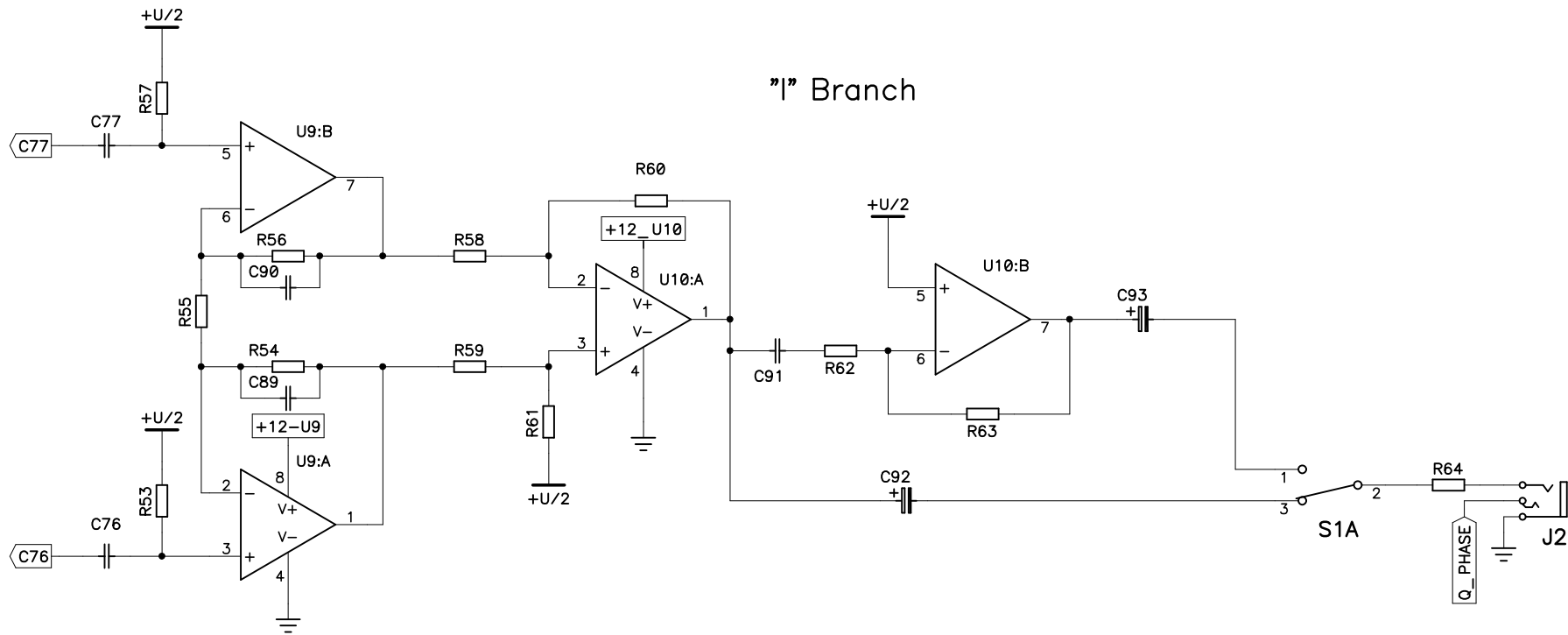
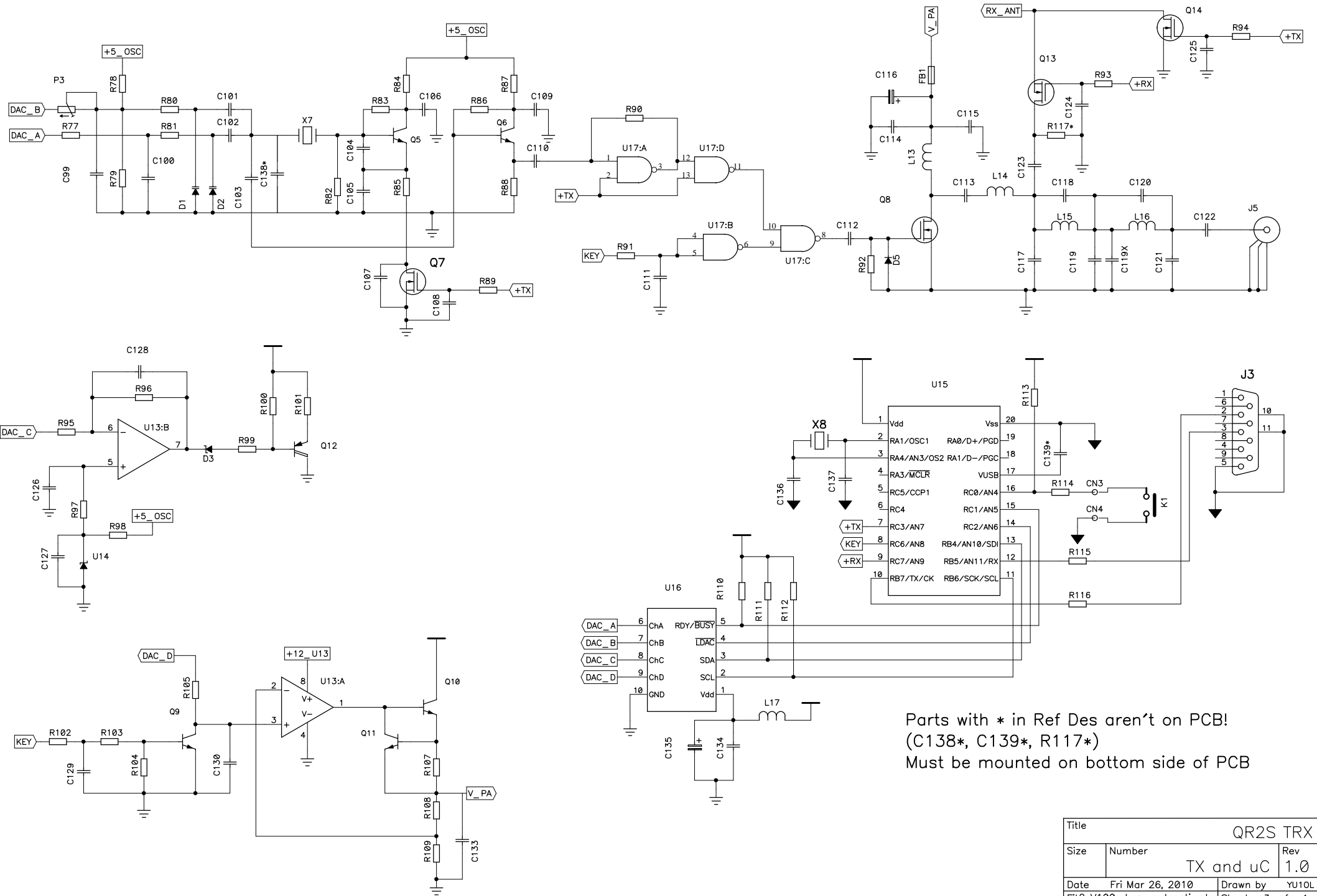


Title		QR2S TRX
Size	Number	Rev
		RF and IF 1.0
Date	Fri Mar 26, 2010	Drawn by/Drawn By:
		Sheet 1 of 4

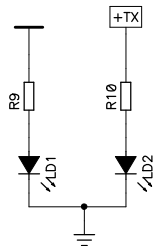
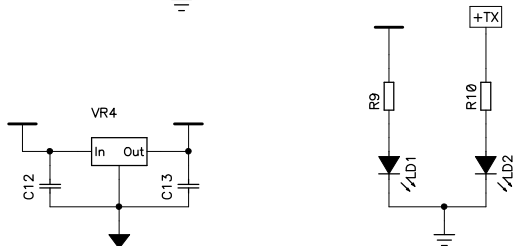
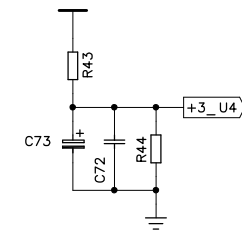
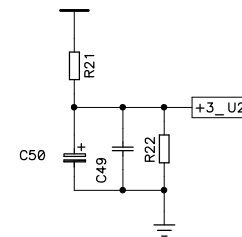
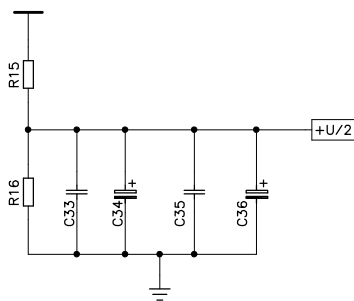
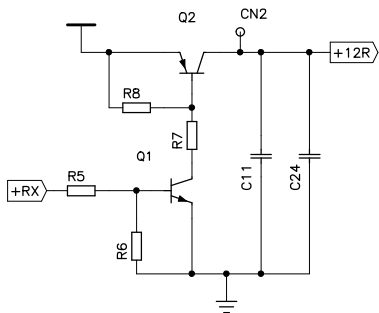
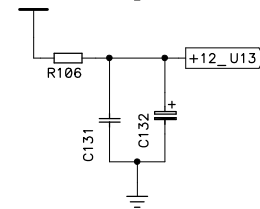
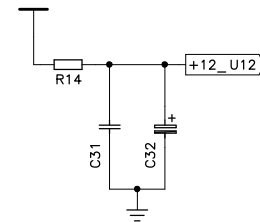
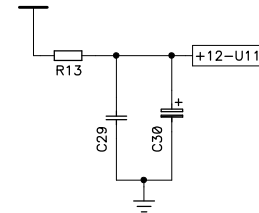
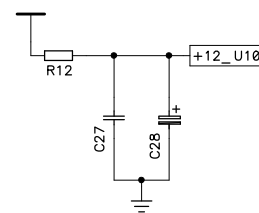
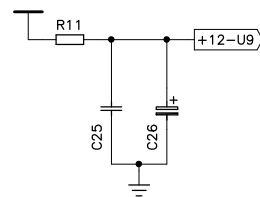
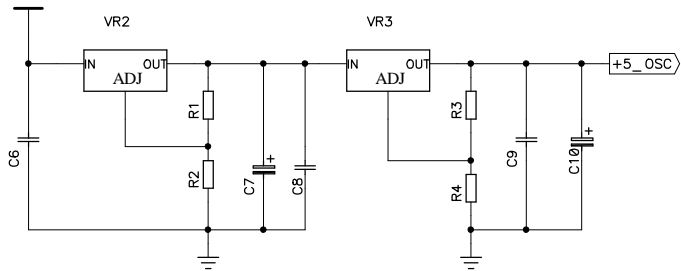
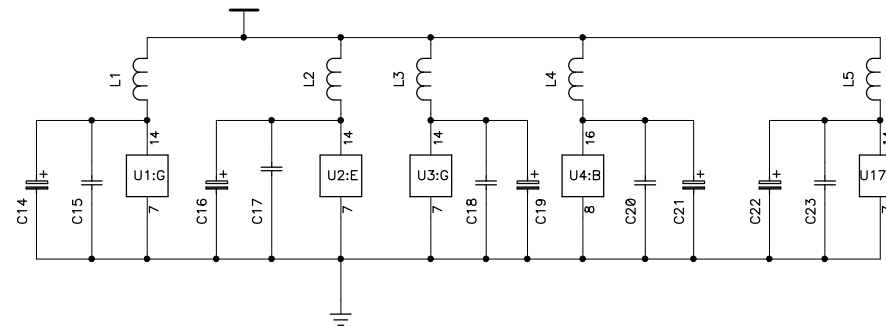
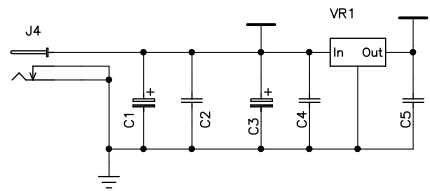


Title		QR2S TRX	
Size	Number	Rev	1.0
		AF Amps	
Date	Fri Mar 26, 2010	Drawn by	YU10L
g:\2010\qr2s\qr2s bez vrednosti.sch		Sheet	2 of 4

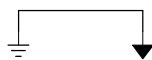


Parts with * in Ref Des aren't on PCB!
 (C138*, C139*, R117*)
 Must be mounted on bottom side of PCB

Title		QR2S TRX
Size	Number	Rev
		TX and uC 1.0
Date	Fri Mar 26, 2010	Drawn by YU10L
Date		Sheet 3 of 4



Note these symbols:



Title		QR2S TRX
Size	Number	Rev
	Power Supply	1.0
Date	Fri Mar 26, 2010	Drawn by YU10L
g:\2\vr20 bez vrednosti.sch		Sheet 4 of 4